

**GENERAL DISTRIBUTOR**

**ZIRMAK**

**ZİRAAT MAKİNALARI  
TİCARET VE SANAYİ A.Ş.**

IDOSB Güderi cad.No.8 F-7 Özel Parsel  
Tuzla / İSTANBUL

Tel : +90 (216) 394 0688 Fax : +90 (216) 394 0120

e-mail : [info@tarimtas.com](mailto:info@tarimtas.com)

web : [ww.tarimtas.com](http://ww.tarimtas.com)

**NEW**



**TARIMTAS**

TARIM ARAÇLARI SANAYİ VE TİCARET A.Ş.

# **YEMZER**

## **FEED GRINDER**



**OPERATING  
AND  
MAINTENANCE  
GUIDE**

<b>TECHNICAL DATA</b>	<b>1 PHASE(TA-3)</b>	<b>3 PHASE(TA-5,5)</b>
<b>Size</b>	: 90x62x130 cm.	90x62x130 cm.
<b>Weight</b>	: 61 kg.	67 kg.
<b>Electric Motor</b>	: 220V-3 HP.	380V-5,5 HP.
<b>Motor rpm</b>	: 2900 d/d	2900 d/d
<b>Cable (Grounded)</b>	: 3x2,5 mm.	4x2,5 mm.
<b>Termal Switch</b>	: 11-16 Amp.	8,5-13 Amp.

- \* Shred the CORN and DRY STALKS and obtains coarse feed.
- \* Grinds all kinds of grain feeds like wheat and corn.
- \* Shred wet feeds like BEET, POTATO, CARROT and GRASS into SILAGE. Makes rumination and digestion comfortable for animals and improves the milk and meat yield.
- \* **Economical** with its low power consumption.

**YEMZER** is covered by a 2 year warranty againts manufacturing defects starting from the date of purchase. Damages resulting malfunctions and unsuitable transportation conditions as well as electric motor burn-out due to overloading are not covered by this warranty.

Always use your YEMZER with a GROUNDED wall outlet. If your wall outlet does not have a GROUNDED LINE, have it laid by an electrician. In case that the line cable connected to the wall outlet is smaller than 3x2,5 mm. contact an electrician for replacement with a cable in that size. If your circuit fuse switch is smaller than 20 A. have it changed with a switch fuse of that value.

## **MACHINE OPERATING**

### **WHEAT, BARLEY AND MAIZE (For grain feeds)**

- ★ Adjust the inner cover slope toward the feed flow aperture
- ★ Pour the feed into the hopper (mixed feed can be used)
- ★ Switch on the motor.
- ★ Adjust the feed flow by moving the feed adjustment plate up or down slowly.
- ★ If you notice a stress on the motor as a change of speed and sound, decrease the feed flow by pushing down the plate.

### **MAIZE (For coarse dry feed)**

- ★ Switch on the motor
- ★ Drop the corn ears into the side chute one by one with an appropriate time interval so as not to cause a jam.

### **BEET, RADISH, HAY AND STRAW**

- ★ (For coarse wet and dry feed)
- ★ Cut an adequate amount of feed like beet, etc into pieces of the size fitting to the hopper middle aperture, beforehand.
- ★ Switch on the motor
- ★ Drop the feed pieces into the hopper one by one with an appropriate time interval so as not cause a jam.

## **CLEANING AND MAINTENANCE**

- ★ When it is not in use, disconnect the plug of YEMZER from the wall outlet, clean it and protect with a nylon cover.
- ★ During cleaning and maintenance works, always disconnect the plug from the wall outlet.
- ★ Clean with broom and brush. Do not touch the cutters.
- ★ Do not wash YEMZER with pressurized water; this can cause rust and motor damage .
- ★ Do not leave YEMZER outside or in the rain.
- ★ Do not put anything on YEMZER when using as it need ventilation for cooling.
- ★ when the cutters become blunt, you can turn them and use the opposite edges. If you have to replace the steel bolts and fiber nuts use the same type and quality of material.

## **SPARE PARTS**

- GRAIN FEED SILO
- MOIST FEED AND SLAGE COVER
- 1 SIEVE (Small - middle - big hole)
- 2 COVER WICK (Joint)
- 3 CUTTING KNIFE
- 4 OFFENSIVE HAMMER GROUP
- 5 WHEEL COMPL.
- 6 CORN PIPE RUBBER
- 7 COVER LOCK MACE
- 8 TERMAL MAGNETIC SWITCH
- 9 PLUG AND CABLE
- 10 REGULATOR BOLT MACE
- 11 SACK MOUTH BUBBER

## **RECOMMENDATIONS AND FRONT KNOWLEDGES**

Our machines are equipped with a thermal switch for the purpose of motor protection. In case of an overload, thermal switch trips and protects the motor from burning-out. If the thermal switch trips, the machine should be re-started after waiting for a period of at least 1 minute in order to allow the thermal contacts to cool down.

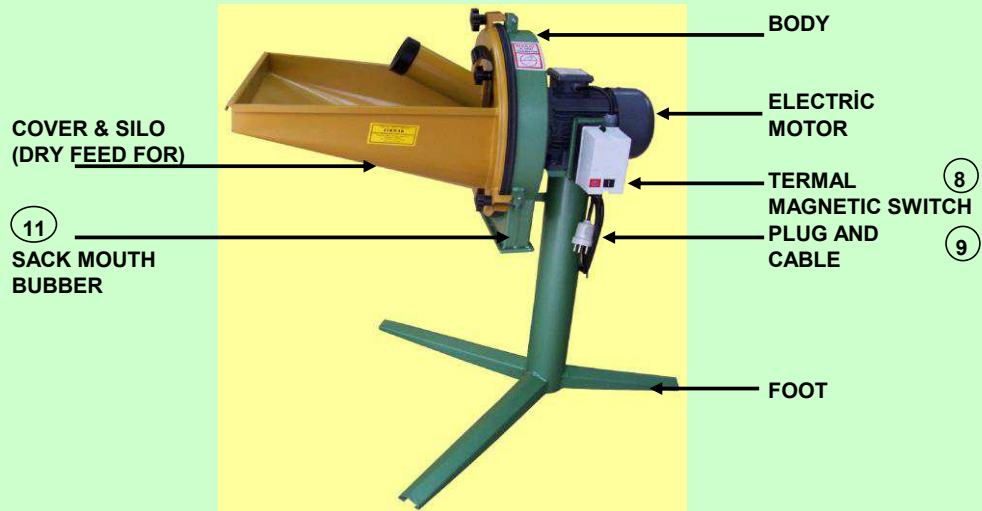
### **WARNING !!!**

While the machine is in use, please do not open the front cover and do not put your hands into the machine from the top or through any other opening.

#### **FEED GRINDER CAPACITY ( KG. / HOUR )**

FEED SPECIES	SIEVE HOLE CALIBRE (mm)	1 PHASE TA - 3	3 PHASE TA - 5,5
<b><u>DRY FEEDS</u></b>			
Corn Grain	3 - 4 - 6	300 - 500	450 - 700
Wheat	3 - 4	300 - 450	400 - 600
Barley	3 - 4	250 - 350	350 - 500
Corn Ears	4 - 6	300 - 400	400 - 600
Grass	with out sieve	120	200
<b><u>WET FEEDS</u></b>			
Corn dry stalks, beet, Radish	with out sieve	150	250

# YEMZER FEED GRINDER

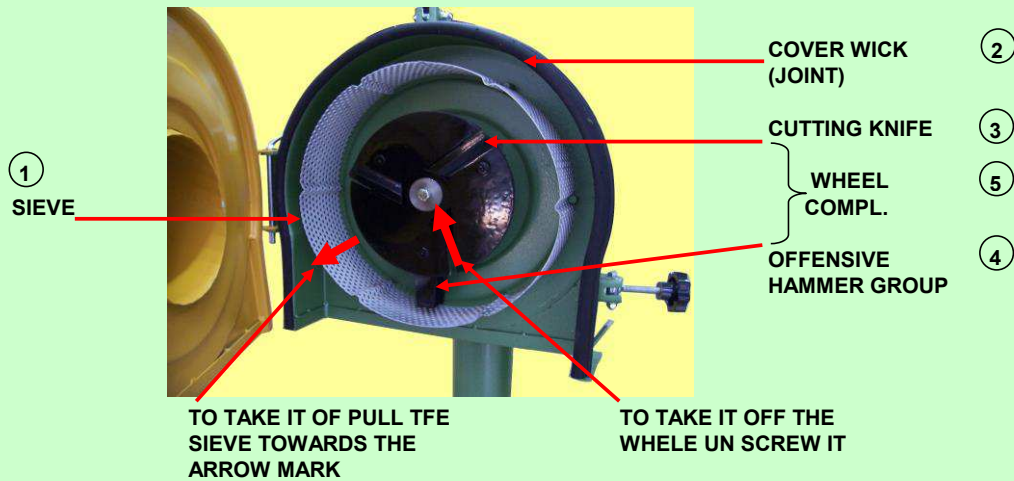


# MOIST FEED AND SLAGE COVER



THIS PART IS ON SALE SEPERATELY

# GRINDER GROUP



# GRAIN FEED SILO AND REGULATE

