



TARIMTAŞ

TARIM ARAÇLARI SANAYİ VE TİCARET A.Ş.


SÜTZER

MOBILE MILKING PARLOR USAGE & MAINTENANCE GUIDE



CE

TO OUR VALUED CUSTOMERS,

 **Before using your machine, please read carefully and store in a safe place for further reference.**

Our products have been designed to work efficiently and with the up most ease, without harming the environment.

If you experience any problems other than those discussed in our manual, please contact either the dealer from which you bought your machine or us directly and inform us about the following information:

- A-Your address, telephone and fax number, machine type and production number,
- B- A description of the problem.

This information is required for us to ascertain the exact problem.

We take all of our customer needs seriously. Therefore, please take note that if you require a specialised unit that is not one of our standard models, we will do our up most, within reasonable parameters, to meet your needs.

We hope you enjoy using your new machine.

Machines with not original spare parts are out of warranty.

If there is a problem with your machine that cannot be resolved by us, an application can be made to the consumer arbitration committee.

In case of dispute, Istanbul Enforcement Offices and Courts are authorized and Turkish Law is applied in disputes.

PRODUCER:

TARIMTAŞ

TARIM ARAÇLARI SANAYİ VE TİCARET A.Ş.

IDOSB Güderi cad. No.8 F-7 Özel Parsel 34956 Tuzla/İSTANBUL

Tel: (0216) 394 0675 - (0216) 394 0688

Fax: (0216) 394 0120

E-mail : info@tarimtas.com , satis@tarimtas.com

Web : www.tarimtas.com

Tarımtaş reserves the right to make any technical changes to its machines, about production techniques, materials used, and measurements implemented etc., based on its improvement aims and/or customer needs.

This manual has been produced for **STZR** which is a trademark of **TARIMTAŞ A.Ş.** and **cannot be copied, reproduced, or used for different purposes.**

Table of Contents

1. TECHNICAL INFORMATION	4
2. CARRIAGE AND PROTECTION	5
3. GENERAL SPECIFICATIONS	5
4. BENEFITS OF MILKING WITH MACHINE	6
5. HEALTH AND SAFETY RULES	6
6. ELECTRIC SETUP	7
7. PREPARATION AND PROCEDURE FOR MILKING	8
<i>Preparation of machine for milking:</i>	8
<i>Preparation of teat for milking:</i>	8
<i>End of Extraction Time:</i>	8
<i>Removal of the milking head from the udders after milking and udder control:</i>	8
8. CLEANING AFTER MILKING	10
9. PERIODIC MAINTENANCE	11
1 – <i>Replacing teat liners:</i>	11
2 – <i>Oil Check & Maintenance</i>	12
3 – <i>Pulsator Maintenance</i>	12
4 – <i>Vacuum Tank Cleaning (Once every 3 months)</i>	13
5 – <i>Cleaning sanitary trap (Once every month)</i>	13
6 – <i>Cleaning vacuum regulator (Once every month)</i>	14
10. VACUUM ADJUSTMENT	14
11. MILK TRANSFER CONTROL UNIT	15
<i>Connection chart</i>	15
<i>Milk transfer pump timing adjtument</i>	15
12. TROUBLE SHOOTING	16
13. SPARE PARTS	17
153-72-1030 - <i>OIL CUP</i>	17
153-71-1058 - <i>CLUSTER</i>	18
153-71-1061-A – <i>GOAT CLUSTER</i>	19
153-71-1061-B – <i>SHEEP CLUSTER</i>	19
153-72-1029-A - <i>VACUUM REGULATOR</i>	20
153-72-1008 - <i>VACUUM PUMP (MOBILE PARLOR VERSION)</i>	21
153-90-1031 - <i>MILK MEASUREMENT DEVICE</i>	22
14. WARRANTY CONDITIONS	23
15. (CE) DECLARATION	24

1. TECHNICAL INFORMATION



MOBILE PARLOR

VACUUM PUMP TYPE	OIL TYPE WITH FIBER VANES
V.PUMP CAPACITY	750 lt/min. (@ 50 kPa)
ELECTRIC MOTOR	2,2 kw (Single Phase), triphase (Opt) 1400 rpm
VOLTAGE-FREQ	220 Volt (AC) - 50 Hz. Ops.380 V (AC) 50 Hz
MILK RECEIVER TANK	30 lt AISI 304 Stainless Steel
MILK TRANSFER PUMP	10 ton/hr single phase
MILK FILTER	60 cm AISI 304 stainless steel Ø 40
SANITARY TRAP	5 LT
WORKING PRESSURE	0,42 bar. (42 kPa).
OIL TYPE	Shell Tellus 37 or equivalent
WEIGHT	300 Kg
DIMENSIONS (W x L x H)	110x220x155 cm
MILKING CAPACITY	6 cows at a time

2. CARRIAGE AND PROTECTION

TRANSPORT

The machine must be tied up well and not moving to prevent possible damage during transport.

CHECKS AT ARRIVAL

At arrival of machine below items need to be checked.

— CHECK WHETHER THE MACHINE IS AS ORDERED OR NOT,

— Check if any damage has come up during transport,

NOTICE OF ANY DAMAGE WHICH CAUSED DURING TRANSPORT

If there is any missing or damaged part, verbal notice must be given to the transporter.

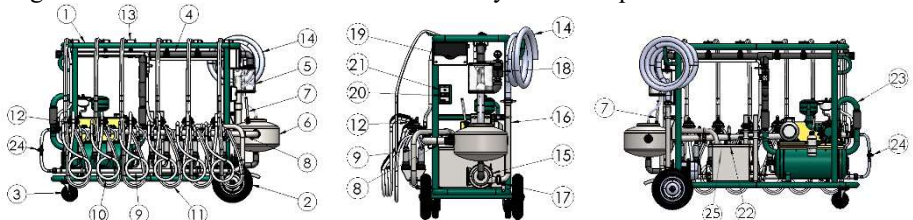
A detailed report of damage must be prepared as 2 copies. One copy to be sent to the transporter, other copy to the dealer or the factory (**Tarımtaş A.Ş.**) within 7 days.

MUHAFAZA ETME

If machine will not be used for long time, clean the machine properly, apply standard cleaning procedure after milking process, cover the top and keep in a closed dry and clean area.

3. GENERAL SPECIFICATIONS

In general the machine consists of the below systems and parts.



NO.	PART NO	PART NAME	SPECS & FUNCTIONS
1	153-70-1017	FRAME	Main frame
2	153-73-1005	WHEEL Ø 350	
3	153-73-1004	ROTARY BREAK WHEEL	Support easy movement of machine inside barn.
4	153-90-1205	MAIN VACUUM LINE - PVC Ø 50	Distribute vacuum to all systems.
5	153-90-1012-01	SANITARY TRAP	Prevent milk overflow and move into pump system.
6	153-90-1011-03	MILK RECEIVER TANK	Stainless buffer milk tank.
7	153-90-1020	MILK LEVEL SENSOR	Check milk level and send start signal for the milk transfer pump
8	153-90-1204	MILK LINE	For hygienic transfer of milk to the cooling tank.
9	153-90-1203	WASH LINE	For easy wash of clusters and liners.
10	153-71-1042	MILK HOSE	Carry milk through to the system.
11	153-77-1004-03	PULSATION VACUUM HOSE	Transfer vacuum from pulsators to teat cups.
12	153-71-1013	MILKING CLUSTER COMPLETE	
13	153-74-1002	PULSATOR	Supply massage of liners during milking.
15	153-90-1010-02	MILK TRANSFER PUMP	Transfer milk from machine to cooling tank.
16	153-90-1090-B	ST. MILK FILTER	Stop any dirt go into the cooling tank.
17	153-90-1092	3/8" VALVE	To take milk from the system if needed and drain any water or milk inside the system after milking process.
18	153-72-1029-A	VACUUM REGULATOR	Regulate vacuum level of whole system.
19	153-90-1016	CONTROL UNIT	Electronic units which run the machine in order.
20	153-80-1022-02	FUSE SWITCH	To start and stop machine and protect the whole system for any electrical problems.
22	153-90-1032-050	50 LT WASH TROUGH	Tank for cleaning water and chemicals.
23	1530000011-1403	YPM 150 PUMP UNIT	Main vacuum supplier pump for the machine.
24	153-71-1068	PLASTIC VALVE	Used when switching between milking and washing procedures.
25		VALVE	Stays inside wash tank and is used for switching between milking and washing procedures.

4. BENEFITS OF MILKING WITH MACHINE

Milking is the most important process of dairy farming. Must be taken into great care and made in a healthy way. Below are the reasons why a milking machine is required even in a family-run farm with only 2 or 3 cows.

a) Reduces milking time and increases productivity,

As milking time approaches, cows release a hormone called OXYTOCIN. When this hormone reaches an optimum level, cows are ready to release milk.

Milking process must finish whilst this hormone is at the optimum level which generally lasts between 4 to 7 minutes. This time varies according to the breed and eating habits of each animal. Hand milking is a slower process. It is generally not possible to finish milking within this efficient hormone time by hand and therefore less milk will be obtained. Milking machine is required to finish milking within this time especially for productive culture breeds.

Machine milking reduces extraction time by nearly 50%.

b) Protects teat health,

Properly used good quality milking machine, reduces teat infection, and keeps illness at bay.

c) Provides healthy and clean milk,

Milking by machine provides cleaner and healthier milk. Milk is stored immediately in the closed protected bucket, and this prevents waste of milk, less bacteria, and increase efficiency.

d) Provides savings on labour,

Milking by machine will provide a healthier atmosphere where you will save time and money.

5. HEALTH AND SAFETY RULES

- Always follow the rules stated in the Electrical Set-up Section. ([Sec 6](#))
- Once milking is finished, remove teat cups from animal as quick as possible. ([Sec.7](#))
- Always follow the procedures when cleaning the machine, liners, hoses etc. ([Sec 8](#))
- Replace the rubber teat liners every 6 months. Do not wait for them to tear. Never re-use old equipment. Always follow periodic cleaning and maintenance procedures and timing for vacuum tank, sanitary trap, milk receiver tank, milk levelling sensor etc.. ([Sec 9](#))
- Always replace cracked or damaged parts like claw, hoses, seals, teat liner glass etc.. (**Never try to repair with tape, glue etc.**)
- The electric motor must never be in contact with water.
- Do not extract milk from animals with unhealthy or ill teats.
- The pulsator must never be in contact with water or oil. ([Sec 9/3](#))



**This product has been designed to be used by adults.
Do not allow children to get closer and operate this machine.**

6. ELECTRIC SETUP

- ⚠ ➤ **Electric cables must be without fault.**
- **Cable connection between barn and the machine must be installed by a qualified electrician.**
- **Electric motor must be connected to the ground line. (There is a ground wire inside the wire box.)**
- **Extension cables should not be longer than 10 meters in total. This may cause low voltage and burn of motor.**
- **Electric cables must be min 3x2,5 for single phase and 4x2,5 for triphase machines.**
- **All cables must be one piece. Never use extended cable.**



Electric supply leads and cables must not be in contact with the floor. Floor is usually wet and may cause electric shock and fault of machine.

- With a portable unit, a 4-5 mm steel wire must be placed above the machine's area of operation. **(Please see the picture above)**
- Rings with diameter 6-8 cm to be placed on this wire.
- The electrical wiring required will pass through these rings and connected to the machine. This system provides ease of movement for both the machine and the electrical wiring within the machine's designated area of operation.

7. PREPARATION AND PROCEDURE FOR MILKING

Preparation of machine for milking:

➤ Either bring the machine to back of cows or move cows to side of machine.

⚠ Do not get cows so close to the machine.

➤ Plug in the machine and push start button.

➤ Pull out vacuum stoppers on claws and wait for vacuum level to rise. (Bkz.sa. 18)

➤ Vacuum pressure will raise up to 42 kPa on a properly adjusted machine. (Red arrow).

➤ If there is milk measurement device on the machine milk measurement device front tap should be on right side. ([See Measurement Device](#))

If vacuum level is below or above this level adjust vacuum level to 42 kPa. ([See sec. 15](#)).

Now everything is ready to start.

Preparation of teat for milking:

⚠ Always get close to the animal from side.

➤ Mix Temzer 1 with warm water and prepare liquid by following the instructions. (Pls see p. 12)
Wash the teats with this water, massage and dry them.

1. First drops of milk extracted during massage are taken into the milk testing cup and visually checked. It takes approximately 1 minute for the cow teat to be ready for extraction. For goats this time is 5 to 10 seconds. The teat is ready when it starts swelling. At this point extraction must begin immediately.

Attaching the teat cups (liners) on to the teat (Pls see p.11):

➤ Hold the teat head with the outside of your hand facing the floor. (Picture 1)

➤ Push the vacuum stopper in (for goat or sheep milking, turn the valve on hoses) and open the vacuum line. Palm of your hand holding claw glass looks up and all teat liners looking down. Attach the teat liners one by one on to each teat. To prevent loss of vacuum, hold the hoses bent (Picture 2). Start attaching the teat liners from the furthest teat for ease of application.

➤ If there is a sick or unusable teat, then a plastic cork is placed on to the end of the teat liner head to prevent loss of vacuum. By that plastic cork that line will be cancelled. (Pic 3)

End of Extraction Time:

If the milk is flowing well do not touch the teat of the animal. You can check milk flow either with the sight glass or the hose. The fastest flow is usually seen during the second or third minute after massage.

Depending on the breed of cow, extraction may take around 4 to 7 minutes.

Depending on the breed of goat, extraction takes between 1,5 to 2 minutes.

➤ When the flow of milk starts to slow down, pulling the teat head softly downwards and massaging the teat with a downwards movement, will enable milk to flow faster. (Picture 4).

Removal of the milking head from the udders after milking and udder control:

➤ After extraction is complete the teat liner must be removed quickly from the animal.

➤ Do not leave the teat liners on the animal for long period.

➤ To remove teat cups, use one hand to pull out the vacuum stopper on the cluster and pull unit off the animal. Make sure that teat cups do not touch the ground. (Picture 5)

➤ After removing the teat cups, animal's teats must be checked to see if full extraction is complete and if necessary, milking by hand must be performed. This is very important to maintain the health of each teat. When the extraction is completed successfully, no additional hand milking should be necessary. It may take some time for the animals to get used to the machine.

➤ Add Temzer 1 to the spray bottle (included in the unit) and spray each teat after extraction. This protects the teat from infection after each extraction procedure.

➤ For each animal, the procedure must be repeated starting from the beginning.

For machines equipped with measurement device check milk level from the measurement device and at the end of milking push down the button on measurement device and release milk inside the device to the tank. ([See Measurement Device](#))



(Picture 1)



(Picture 2)



(Picture 3)



(Picture 4)



(Picture 5)

8. CLEANING AFTER MILKING

⚠️ Alkali and acid liquid to clean your equipment must be used after each milking cycle, by following their guidelines.

Do not use flammable, exploding or scouring materials when cleaning outside of your machine. Always use hot water, soap and a soft sponge.

Once milking complete each part in contact with milk must be cleaned. Otherwise, left-over milk will congeal, efficiency of the machine will drop, extracted milk will not be fresh and teat of the animal will become infected.

After each milking cycle clean machine by following procedure below in sequence.

- Put warm water inside wash trough. Add stated amount of Temzer 2 or Temzer 3. For morning Temzer 2 and nighttime Temzer 3.
- If there is CIP units on the machine put milking units to CIP, otherwise put milking units inside the wash trough.
- Insert the curved metal tube (2) at the end of the milk transfer hose into the straight tube (1) attached to the wash tank.
- Open valve 24 in front of wash line. Open valve 25 inside the wash trough. Always remind to close these valves after cleaning.
- Turn front tap of milk measurement devices up for washing. ([See measurement device](#))
- Start the machine.
- When 3 min prewash cycle finishes move the curved metal tube to the other pipe (3) next to the bin and discharge water with pushing button next to the control unit.
- Prepare min 50°C water mix with suitable chemical and run washing cycle all from start again. This cycle should take 12 mins.
- When this cycle finishes discharge water again as stated above. Run 2 times rinsing cycles which shall take 3 mins each. Always discharge water and put new water again after each cycle.

Once Every week open milk receiver tank cover (Take care of rubber seal), wash inside the tank. Clean all teat liners inside with liner brush and all short and long milk hoses inside with hose brush. Make sure no milk residue is left.

⚠️ CAUTION:

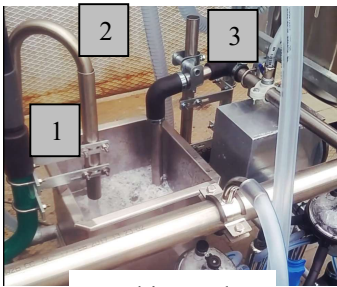
Temzer 2 and Temzer 3 must be used separately, and not mixed together. When mixed hazardous and deadly chemical occurs.



Preparing chemical mixture



Machine and liner cleaning chemicals



Washing tank



CIP Units



Valve inside wash bin



Wash line valve

9. PERIODIC MAINTENANCE

Rubber teat liners lose performance in time and get harder. Small cracks occur inside. This is harmful for milk hygiene, and also causes machine to get damaged. Milk can get into either the pulsators or the main vacuum pump. Once milk gets into pulsators or pump you can no longer run the machine without technical service maintenance. This will cause high service cost and time loss.

All teat liners must be replaced every 6-8 months.

1 – Replacing teat liners:

Removing old one:

Push a blunt object to the hose end and push the milk and air hoses out. Place the sight glass against a hard place and pull the plastic out by applying pressure on to the teat head protector.

Installation of new liner:

- a) Place the sight glass into the short hose (The milk hose).
- b) Place the teat cup shell over the plastic teat liner head.
- c) Take the short milk tube with the sight glass in it, lubricate it with water and push into the liners inside the teat cup. Once the short milk tube starts coming out of the other side; pull it with force, by hand.
- d) Place the teat assembly stick into the top of the sight glass.
- e) Push the stick inwards, until the sight glass and the liner go through and settle into their correct place. Remove the assembly stick. The assembly is complete. (Please see pictures below)



a



b



d



c



e

2 – Oil Check & Maintenance

- Check oil level every 50 working hours.
- Clean oil tank every 500 working hours.
- Add Sützer vacuum pump oil if necessary. ([See Sec.5](#)) (Technical Information)

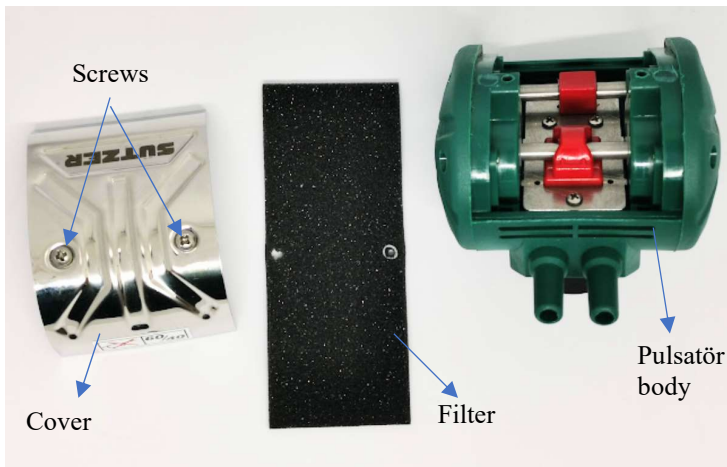
3 – Pulsator Maintenance

Apply below procedure once every month. (See pictures below)

- Unscrew top cover screws and take out cover and the filter below.
- If the filter is solid but dirty you can clean by blowing air. If damaged replace with new one.
- Clean inside pulsator with a small brush. If possible you can blow air.
- Put clean filter in place.
- Put cover and screws in place and tighten.



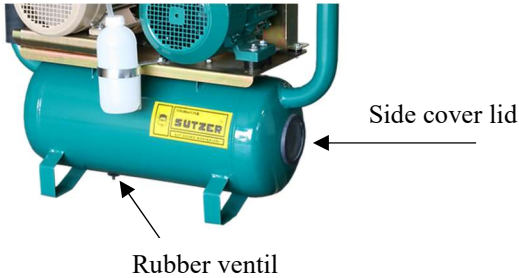
Never contact pulsators with oil, water or milk. Do not remove any other part of the pulsator.



Pulsator disassembly

4 – Vacuum Tank Cleaning (Once every 3 months)

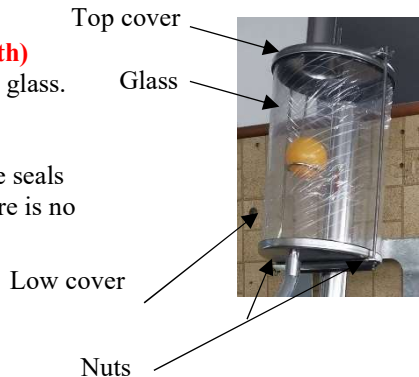
- Pull out the rubber ventil below the tank smoothly and discharge water or milk.
- Remove rubber lids on side and clean inside the tank.
- Put lids and ventil back in place after cleaning.
- If any part is damaged replace with new one.



5 – Cleaning sanitary trap (Once every month)

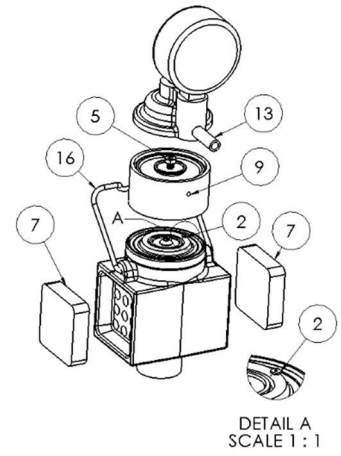
Untighten the nuts. Separate the covers and the glass. Clean all parts with hot water.

Gather all parts back together taking care of the seals properly installed. Tighten nuts. Make sure there is no air leakage between parts.



6 – Cleaning vacuum regulator (Once every month)

- Remove side sponge filters and clean them with water or blowing air (7).
- Rotate the cover spring (16) and remove top cover. (13).
- Clean the hole of the screw at center of flat membrane (5), the side small hole on the plastic part below the flat membrane (9), the hole on the wave membrane (2) and the nipple hole on the cover (13) carefully.
- Install all parts carefully and tighten the top spring by rotating back to place.

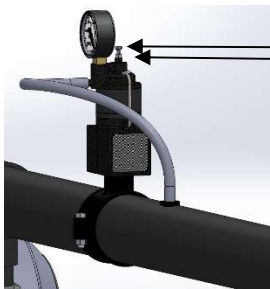


10. VACUUM ADJUSTMENT

Run the machine with all vacuum stopper closed position. If the vacuum meter shows a value different than 42 kPa (red arrow) this means pressure level of the system need to be readjusted.

Run the machine with all vacuum stopper are closed. Remove the top plastic cover on the adjusting bolt by pulling out.

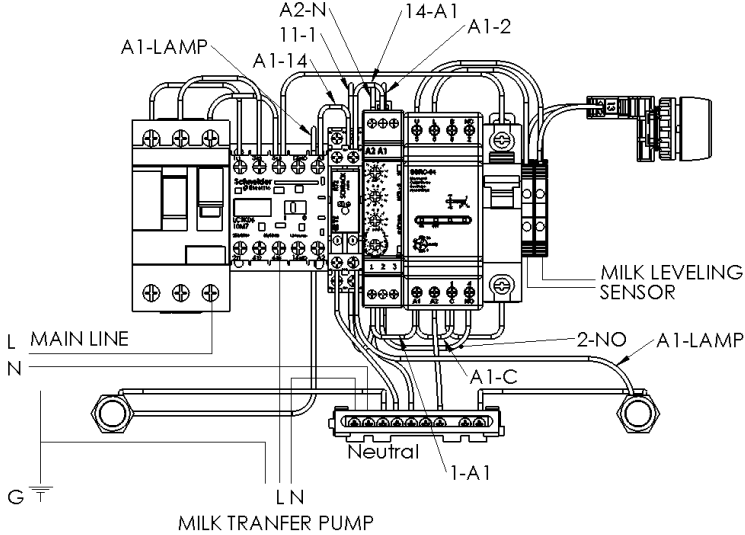
- Untighten the nut as shown in figure below.
- Adjust vacuum level to 42 kPa by tightening or untightening the bolt.
- Tighten the nut well while keeping bolt steady in place.
- Put the protection plastic cover back in place.



BOLT
NUT

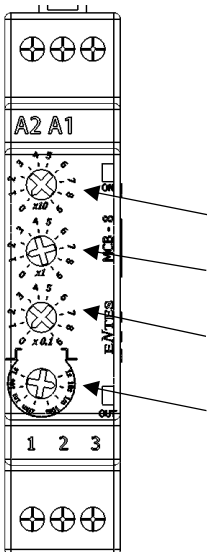
11. MILK TRANSFER CONTROL UNIT

Connection chart



Milk transfer pump timing adjustment

If the milk transfer pump working time is not enough, there is residue milk inside the tank or milk overflows this means timing need adjustment. You can adjust timing of the relay as explained below.



While the lowest button shows working time in seconds, this time need to be multiplied by the numbers stated in upper multiplication factor switches.

x10 MULTIPLY FACTOR

x1 MULTIPLY FACTOR

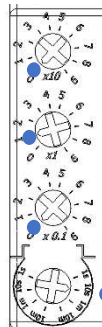
x0.1 MULTIPLY FACTOR

Main time adjust switch in seconds

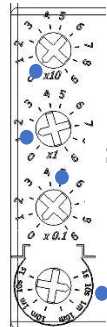
As example.

For 10 sec lowest shows 10 sn; x1 factor is 1 and others 0.

15 sec lowest is 10 sec; x0,1 factor is 5, x1 factor is 1 as shown below.



Sample 10 sn



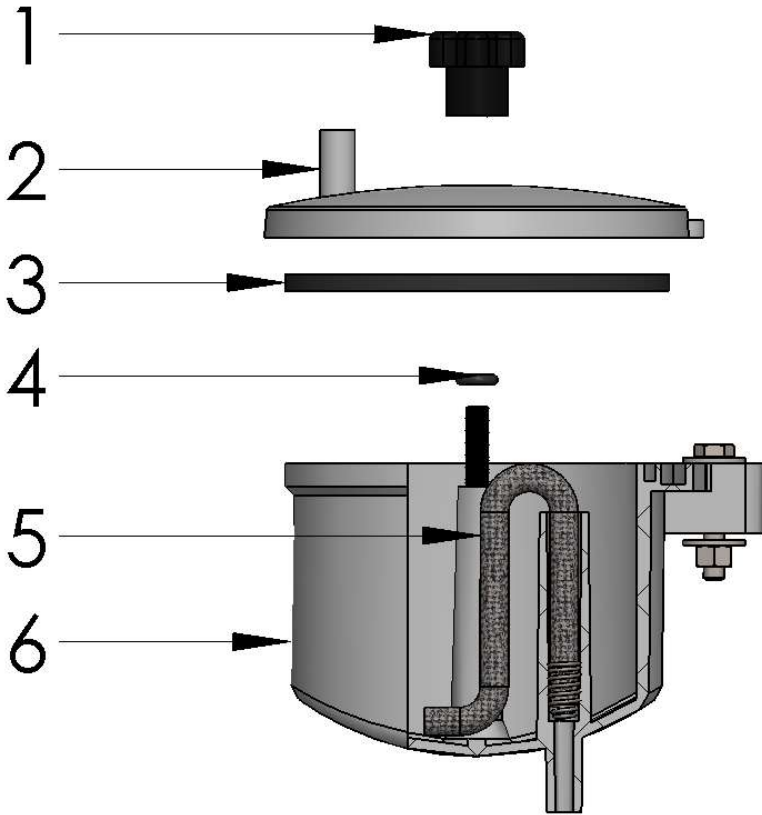
Sample 15 sn

12. TROUBLE SHOOTING

- 1) **Even if main switch is on, motor does not run,**
While there is electric on main line, but motor does not run, call electric technician.
- 2) **If motor runs but the vacuum pump does not,**
 - Pump may get stuck, it could have been rusted, vanes may be broken, Call technician.
 - Belt may be loose, rotated, torn apart or worn out. Remove pulley protection cover. Untighten nuts of motor legs. Process chart of tightening belt is on the belt cover. Apply process and tighten the belt as stated. Tighten motor nuts.
- 3) **Motor runs too noisy,**
 - Oil level may be low. Check and add new oil if necessary. **(Shell Tellus 37 or equivalent)**
 - Pump vanes may be broken or worn out. Call for service.
- 4) **Pump is working but the vacuum level is still low,**
 - Check the cover and rubber seal of milk receiver tank. It may be not properly seated.
 - One or more of the liners may be worn and there may be cracks. One of the hoses may be broken. Claw plastic may be broken. Replace ol or broken parts with new one.
 - Check all hoses if they are all in place properly. If not place them properly to prevent air leakage to the system.
 - Check rubber ventill under the vacuum tank. It may be stuck or fallen of.
 - Check sanitary glass screws and nuts. Tighten if needed.
 - Check if vacuum tank covers are properly seated.
 - Check milk measurement device seals, gaskets. They may be worn and need replacement.
 - If none of the above are met call technical service.
- 5) **Milking process takes longer time than normal,**
 - There is a small air channel under the claw. Check if it is clean on all claws. Clean them with a needle if necessary.
 - Seal of one of more of the claws may be loose or fallen. Check each claw. ([See page. 18](#))
 - There may be cracks or wear on hoses of liners. Check all properly. If necessary, replace with new spare parts.
 - If vacuum level is below 42 kPa ‘dan it may need readjustment ([Sec 10.](#))
 - Pulsator does not work properly or not work at all check if it needs cleaning. ([Sec. 9.3](#)) If it is clean and not working call for technical service.
 - Pulsator pulse must be 60 pulse/min. If not adjust to 60 pulse/min by the screw on lower back of pulsator. Be careful and do not move screw too much. Only small and gentle movements. Increase pulse to right, decrease to left.
- 6) **There is milk in sanitary trap even if the receiver tank is not full,** (Possible cause for longer milking process)
One or more of the liners may crack and torn out. Check all carefully and replace with new ones if necessary ([Sec. 9.1](#))
- 7) **Vacuum level is normal but still cannot milk,**
 - Pulsator may be faulty. Call for technical service.
 - There may be blockage on hoses or pipes. Check all and make sure there is no stuck material.

13. SPARE PARTS

153-72-1030 - OIL CUP

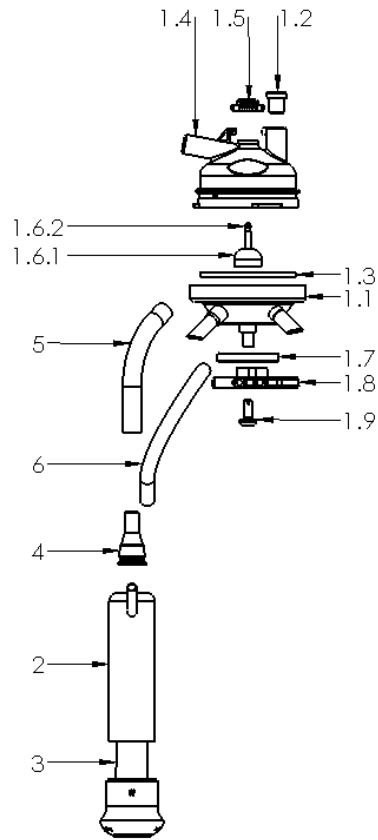


<u>S. No.</u>	<u>CODE No.</u>	<u>PART NAME</u>
1	153-72-1047	Cover nut
2	153-72-1081	Oil Cup Cover
3	153-72-1039	O-Ring (Ø 103,8x2,95)
4	153-72-1030-03	O-Ring (Ø 6,5x2,8)
5	153-72-1031-B	Oil Wick (For YPM 150)
6	153-72-1080-A	Oil cup



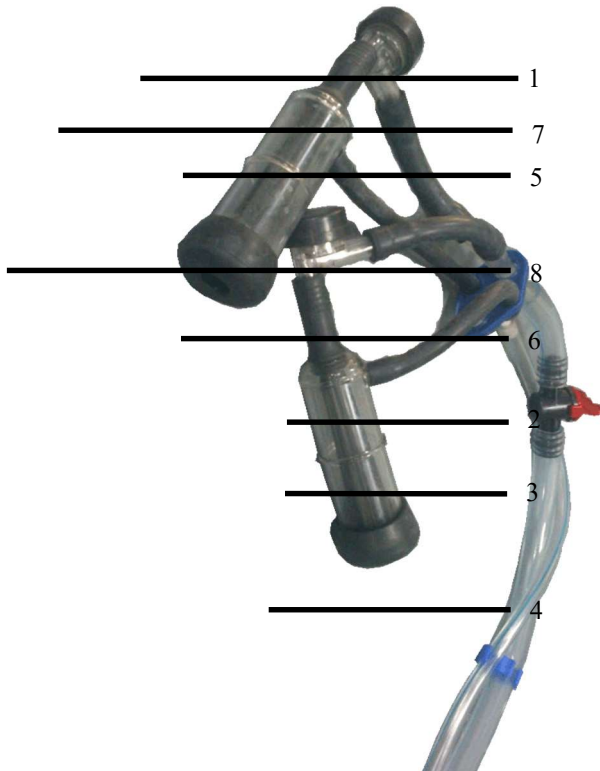
153-71-1058 - CLUSTER

NO.	PART NUMBERI	PART NAME
1	153-71-1052	CLAW COMPLETE PLASTIC 300 CC
1.1	153-71-1054-AA	CLAW BODY
1.2	153-71-1046	CLAW PROTECTION PLUG
1.3	153-71-1057	CLAW COVER SEAL
1.4	153-71-1053	CLAW COVER
1.5	153-71-1055	SHUT OFF VALVE LOCKER
1.6	153-71-1056	SHUT OFF VALVE
1.6.1	153-71-1056-01	SHUT OFF VALVE RUBBER 300 cc
1.6.2	153-71-1056-02	SHUT OFF VALVE CENTER PIM
1.7	153-71-1031	CLAW WEIGHT
1.8	153-71-1003	AIR DISTRIBUTOR
1.9	pan head tapping screw_am	
2	153-71-1006	TEAT SHELF
3	153-71-1007-AB - v2	SHORT LINER
4	153-71-1016	SIGHT GLASS
5	153-71-1010	SHORT MILK TUBE
6	153-71-1005	SHORT VACUUM HOSE
7	153-71-1005	SHORT VACUUM HOSE

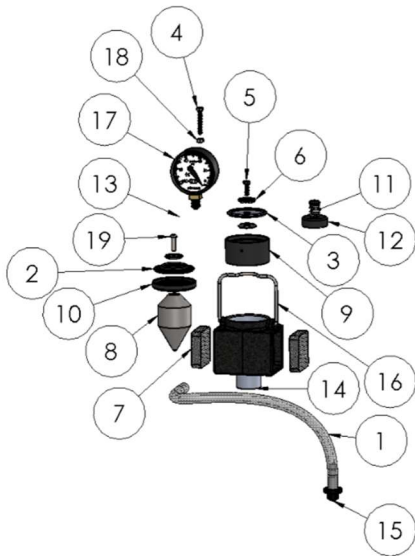


153-71-1061-A – GOAT CLUSTER
153-71-1061-B – SHEEP CLUSTER

<u>L. No</u>		<u>NAME OF PIECE</u>
1	153-71-1062	Claw for sheep or goat
2	153-71-1068	Vacuum stopper valve
3	153-71-1065	Long Milk Hose
4	153-71-1066	Long Vacuum Hose
5	153-71-1079	Short milk tube
6	153-71-1080	Short Vacuum Tube
7	153-71-1067	Teat Cup
8	153-71-1063	Liner



153-72-1029-A - VACUUM REGULATOR

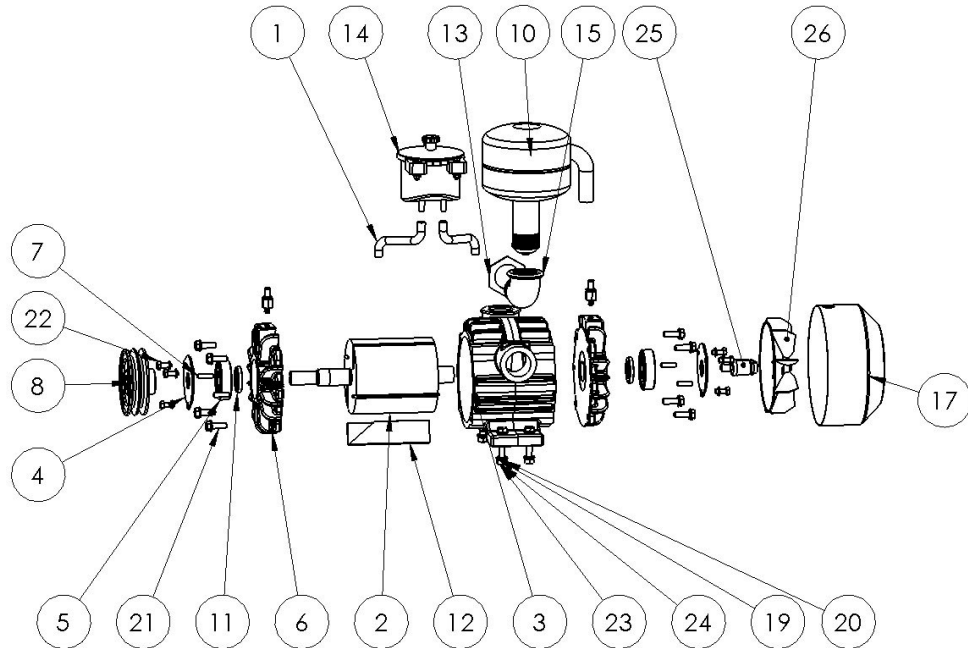


NO.	PART NUMBER	PART NAME	QUAN
1	153-71-1037	6,5X12 PVC HOSE	1
2	153-72-1089	DIAPHRAM WITH HOLE	1
3	153-72-1090	VACUMMATIC FLAT MEMBRANE	1
4	153-72-1098	ADJUST SCREW	1
5	153-72-1099	VACUMMATIC ADJUSTMENT SCREW	1
6	153-72-1100	MEMBRANE WASHER PLS	3
7	153-72-1101	FILTER	2
8	153-72-1102	VACUMMATIC WEIGHT	1
9	153-72-1103-A	MEMBRANE HOLDER UPR	1
10	153-72-1103-B	MEMBRANE HOLDER LWR	1
11	153-72-1104	VACUMMATIC SPRING	1
12	153-72-1105	VACUMMATIC BEDDING	1
13	153-72-1106	VACUMMATIC COVER	1
14	153-72-1126	VACUUM REGULATOR BODY LWR	1
15	153-72-1127	VACUUM REGULATOR NIPPLE	1
16	153-72-1129	REGULATOR COVER SPRING	1
17	153-75-1001	VACUUM GAUGE Ø63 SÜTZER	1
18	Hexagon Nut ISO 4032 - M5 - D - N		1
19	AMB 5 x 0.8 x 20 -N		1

Note: Used for milking more than 4 cows at a time.

153-72-1008 - VACUUM PUMP (MOBILE PARLOR VERSION)

SEQ. NO.	PART NUMBER	PART NAME	QUAN.
1	153-71-1037	6,5X12 PVC HOSE	2
2	153-72-1022-A	ROTOR	1
3	153-72-1025-AB	CYLINDER	1
4	153-72-1026-D	BEARING COVER	2
5	153-72-1027-B	BEARING 6306	2
6	153-72-1028-B	ROLLER BEARING 100-150-200	2
7	153-72-1032	ALIGN PIM	4
8	153-72-1037-K	PULLEY 120x13x24	1
9	153-72-1040	OIL INLET NIPPLE	2
10	153-72-1043	EGZOST YPM 100	1
11	153-72-1050-B	SEAL 30x47x7	2
12	153-72-1054	VANE 150	4
13	153-72-1061-A	NUT 1 1/2	2
14	153-72-1121	OIL TANK TWO EXITS	1
15	153-72-1125	1 1/2 ELBOW	1
16	153-72-1151	ROTOR WEDGE	1
17	153-80-1024-A	PUMP COOLING FAN	1
18	153-80-1025-A	COOLING FAN COVER	1
19	153-80-1033	COOLING FAN SHAFT	1
20	Washer A 8,4	PLAIN WASHER M8	6
21	Washer A 10,5	PLAIN WASHER M10	16
22	Spring washer A		4
23	M10 x 30 BOLT		8
24	M8 x 20 BOLT		6
25	M10 x 60 BOLT		4
26	HexNut M10		4



153-90-1031 - MILK MEASUREMENT DEVICE

Milk meter device is used to measure milk yield. It fits into the long milk tube between each milking unit and milk pipeline. A small representative sub-sample can be taken from milk meter for component analysis. Basics are given in this guide for milk meter. See milk meter user guide for more information.

Operation :

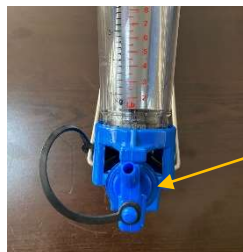
- Wet flask tap center
- Insert tap into place in horizontal position.
- Milk animals as usual.
- Remove cups from animal. Vacuum pump need to be still running and milk meter should still be under vacuum.
- Read milk level as kg or lb after allowing some short time for froth to settle down.
- If milk sample is required for testing,
 - Turn tap down to sampling position.
 - Allow air to the flask by pushing depressor down for necessary time.
- To empty flask turn tap up and push depressor down for some time. Milk will drain into the system.
- You can leave tap in up position for washing or turn it horizontal for next cow milking.

Flask depressor. Push this button down after milking to release milk to the tank.



Milk amount indicator. Black as kgs and red as lbs

Milking position. Tap to be at right side as shown in picture.



Washing position. Tap to be on top as shown in picture.

Maintenance:

Check foreign matters in meter head weekly. Check worn, damaged or missing meter components at least every three months. Air leaks are possible indicators for specially worn components. Each device must be submitted to periodic maintenance at least annually.

14. WARRANTY CONDITIONS

Machine is under warranty for **2 (two) years** from the date of invoice against material, workmanship, and production faults. Electric motor is out of warranty.

2) No labour, parts or similar fees will be charged for transactions within the scope of the warranty.

3) Our company completely determines the technical method applied and the part to be replaced when troubleshooting.

4) Customer approval is required to perform the repair.

4) If it is not possible to repair the fault according to the determination of our technical service, the product will be replaced free of charge.

5) If the consumer does not comply with the following,

- Using the product other than as shown in the user manual
- Maintenance and repair by persons other than authorized technical service,
- Damages during loading and transportation
- Too low or too high voltage, faulty electrical installation,
- Malfunctions caused by events such as fire, lightning etc.
- If by the seller company, the warranty card is given to the customer as incomplete, unsigned or without stamp, or else if it is not given at all, the product is out of warranty.

Maintenance and repair will be made for a fee for malfunctions which are not covered by the warranty.

15. (CE) DECLARATION



DECLARATION OF CONFORMITY

MANUFACTURER

NAME : TARIMTAŞ Tarım Araçları San. ve Tic. A.Ş.
ADDRESS : IDOSB Güderi cad. No.8 F-7 Özel Parsel - İSTANBUL - TÜRKİYE

The undersigned Company certifies under its sole responsibility that the item of equipment specified below satisfies the requirements of the machinery directive 98 / 37 / CE which is apply to it.

The item of equipment identified below has been subject to internal manufacturing checks with monitoring of the final assessment by **TARIMTAŞ A.Ş.**

EQUIPMENTS

Description : **Milking Machines**
Types :

- 1.) Single unit mobile milking machine with dry vacuum pump
- 2.) Single unit mobile milking machine with oil vacuum pump
- 3.) Double unit mobile milking machine with dry vacuum pump
- 4.) Double unit mobile milking machine with oil vacuum pump
- 5.) Stationery type bucket Milking Machine with dry operated vacuum pump
- 6.) Stationery type bucket Milking Machine with oil lubricated vacuum pump

DIRECTIVES:

MACHINERY DIRECTIVE 98/37/EC

LOW VOLTAGE DIRECTIVE 73 / 23 / EEC

ELECTROMAGNETIC COMPATIBILITY DIRECTIVE 89/336/EEC;

SAFETY AND HEALTHY REGULATIONS OF MACHINERY 89/655/EEC; 89/656/EEC

Regulations Applied according to HARMONIZE STANDARDS:

EN 292-1 ; EN 292-2 ; EN 294; EN 1050 ; EN 1672-2; EN 60204-1

SIGNED ON BEHALF OF THE MANUFACTURER

NAME : İshak Hakan TAŞAN
POSITION : General Manager
PLACE / DATE : İstanbul / 01.03.2022
SIGNATURE :
PLACE / DATE : İstanbul / 01.03.2022
SIGNATURE :

